

Handwritten signature
 APPROVED 16 SEPTEMBER 2022



MATERIAL: HDPE
 WEIGHT: 59 ± 3.5g
 VOLUME: 1232 ± 27ml BRIMFULL
 41,66 ± 0.91oz BRIMFULL

SURFACE AREA: 77126.74mm²

NECK DRAWING: 9209_518_003_03

Index	Modification	Name	Date	Index	Modification	Name	Date
01a	Blend curvature updated	SJ	13.Sep.22	01b	Surface area updated	SJ	13.Sep.22

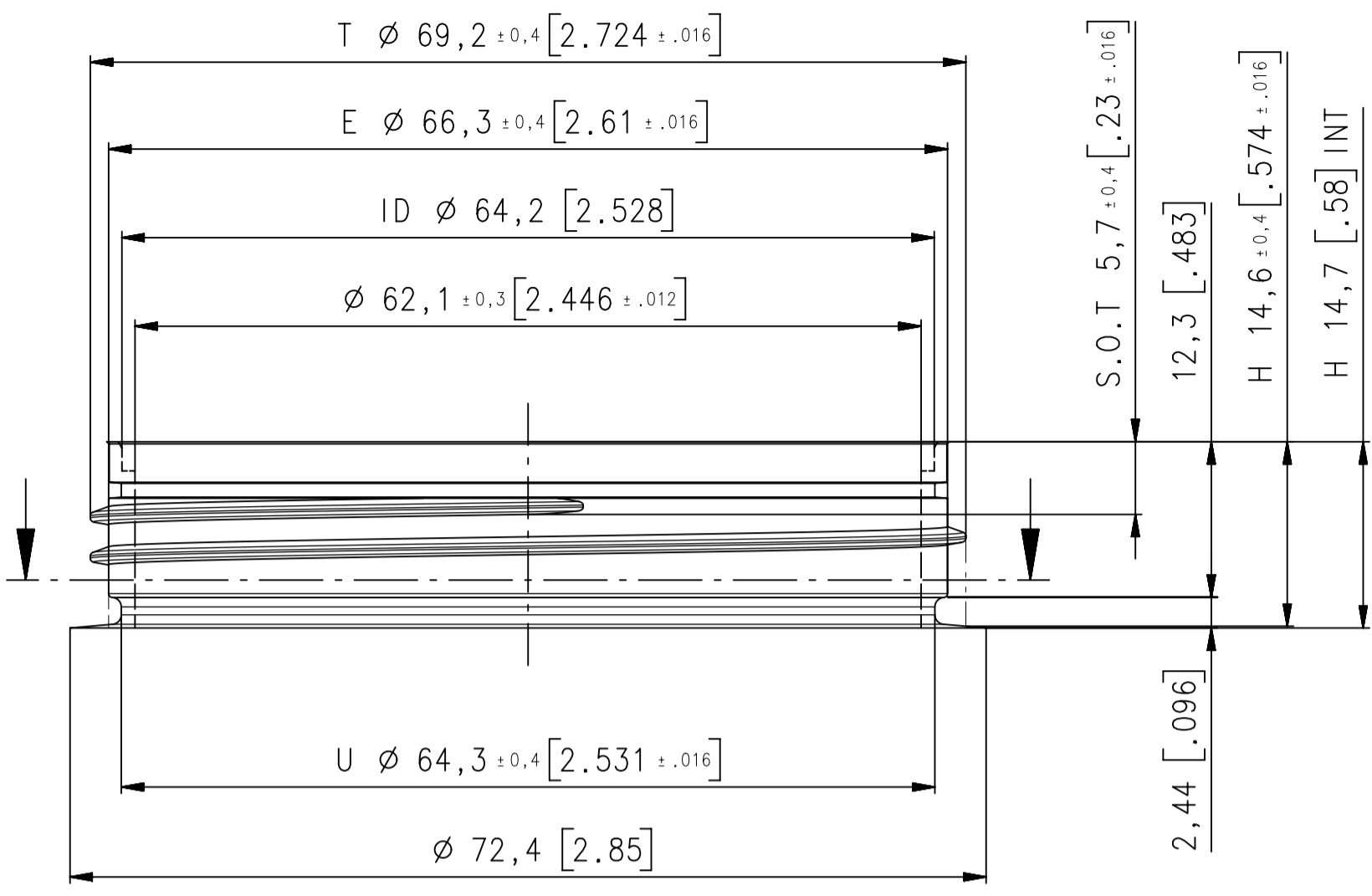
Scale:	1:1	Name	Dineen Jonathan	Date	14.Jul.22
Prepared:	Dineen Jonathan	Reviewed:	SJ	Date	14.Jul.22
Supersedes:		Supersedes by:			
Weight:	00kg	Art.No.:		Page:	1 of 1
Title:	Harmony LF03 33oz	Drawing No.:	9206_522_006_01	Revision:	01

ALPLA reserves all rights to the technical IP contained in the document

Weight: 00kg

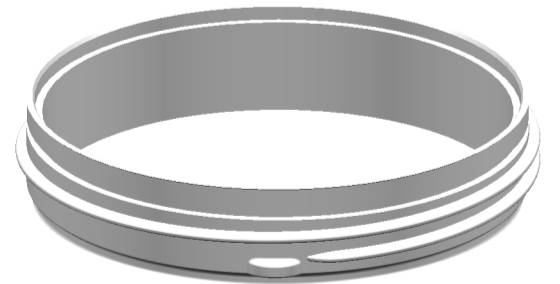
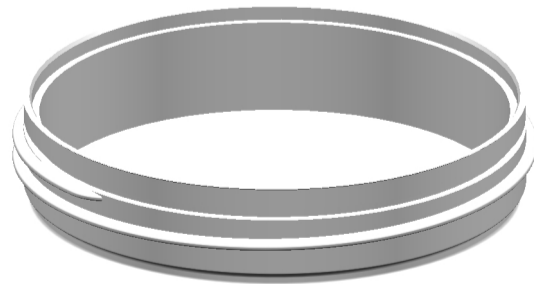
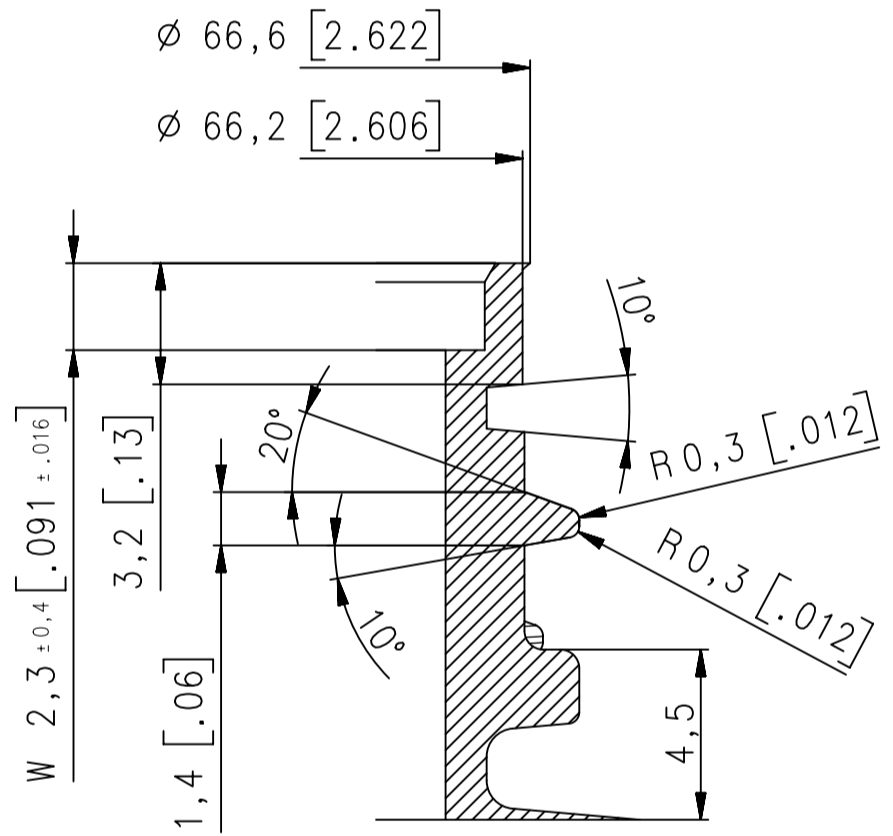
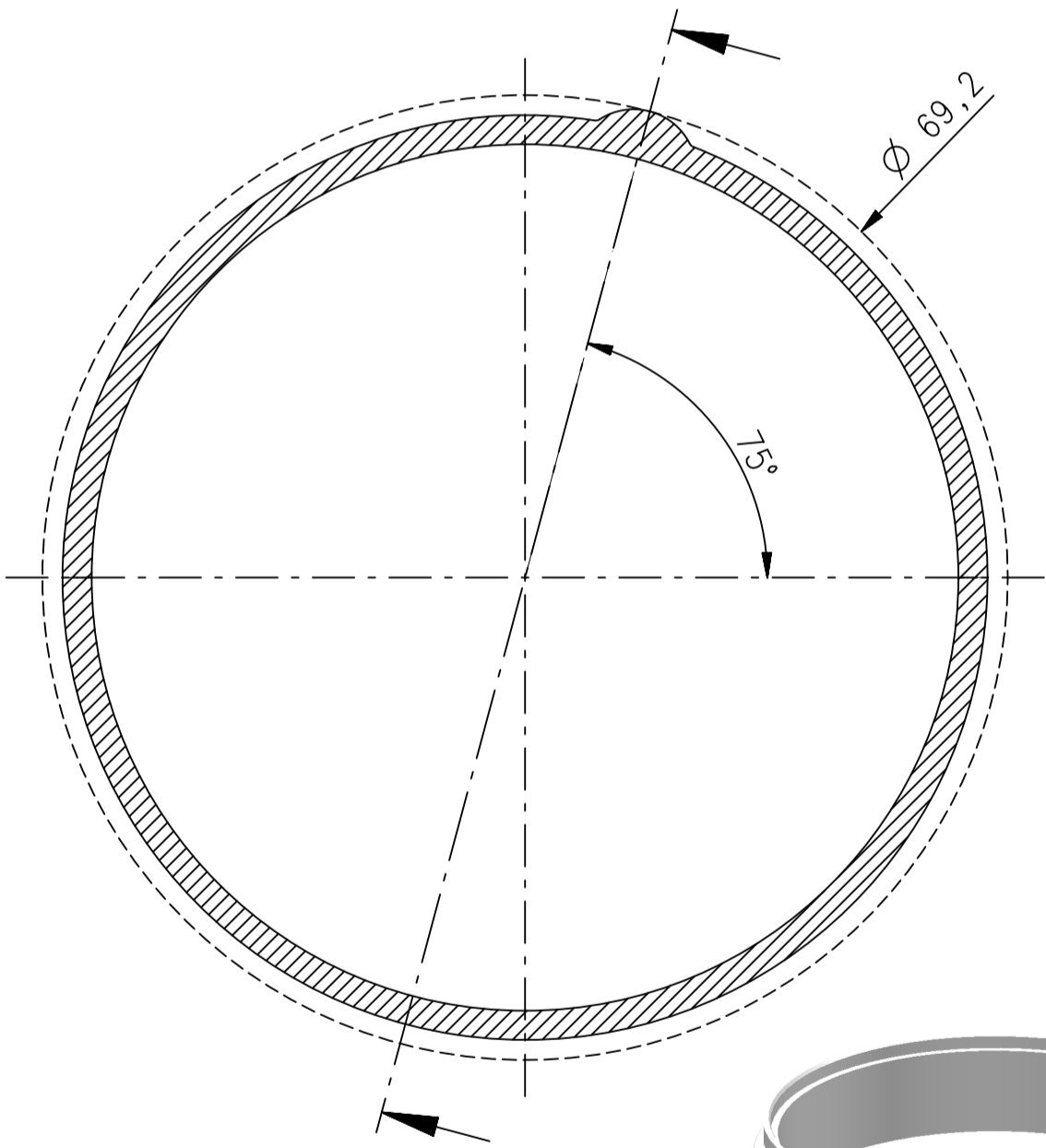
Art.No.:
 Drawing No.: 9206_522_006_01


Page: 1 of 1
 Revision: 01



NECK DETAIL:
SCALE 2:1

THREAD DETAIL:
SCALE 5:1
PITCH: 3.175mm
TURNS: 1.5
1 START THREAD



Index	Modification:	Name	Date	Index	Modification:	Name	Date
-	-	-	-	-	-	-	-
Scale: 1:1 1:1		Name	Date				
ALPLA reserves all rights to the technical IP contained in the document		Prepared: Danler Karl	14.Mar.19				
		Reviewed: Dineen Jonathan	04.May.18				
		Superseded: 9219_516_005_02_R01		Art.No.:		Page: 1 of 1	
		Superseded by:		Drawing No.:		Revision: 00	
		Weight: 00kg		<p>9209_518_003_03</p>			
Title: Harmony Neck							
General Tolerance BLOWMOLDING ARTICLE: DIN ISO 2768-c INJECTION ARTICLE: DIN 16901/150B PREFORM: DIN 16901/130A							