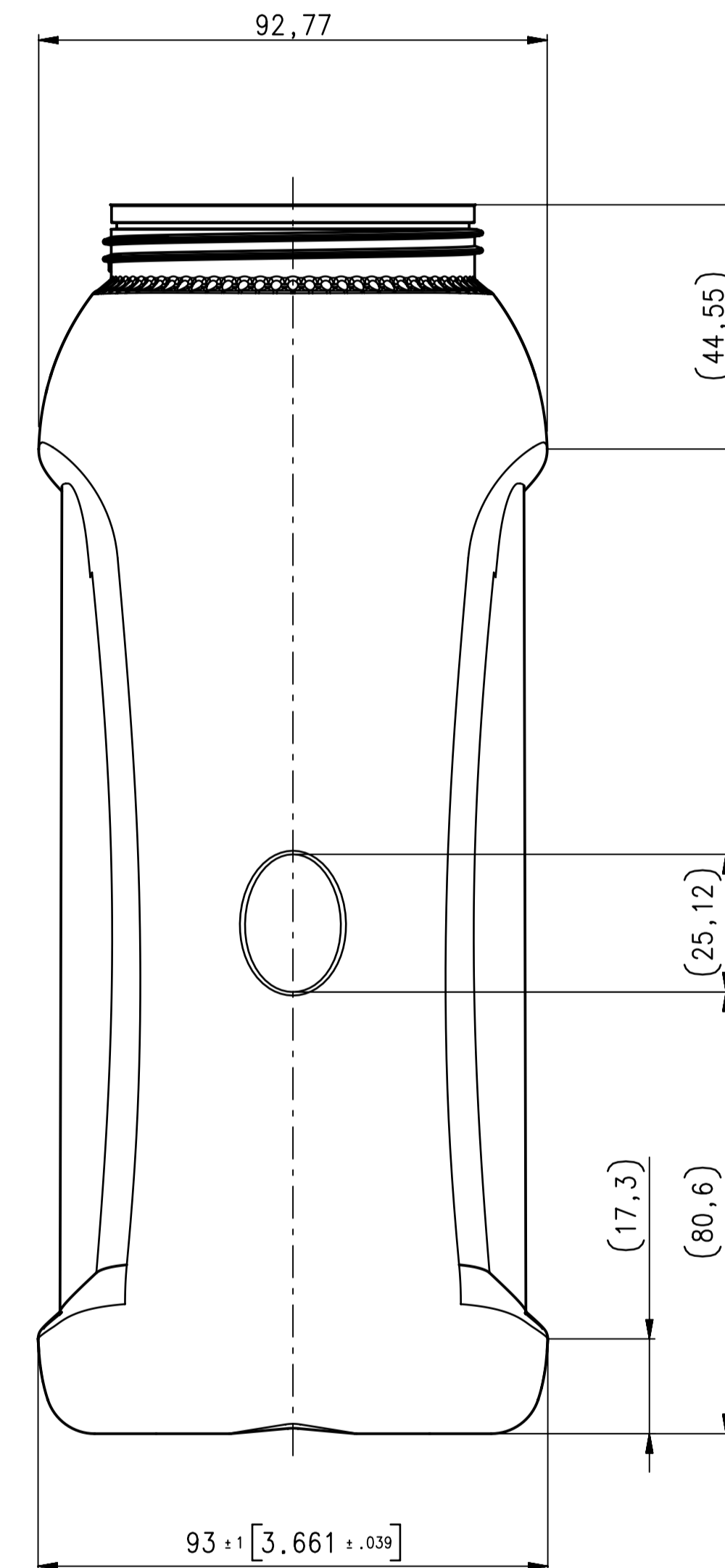
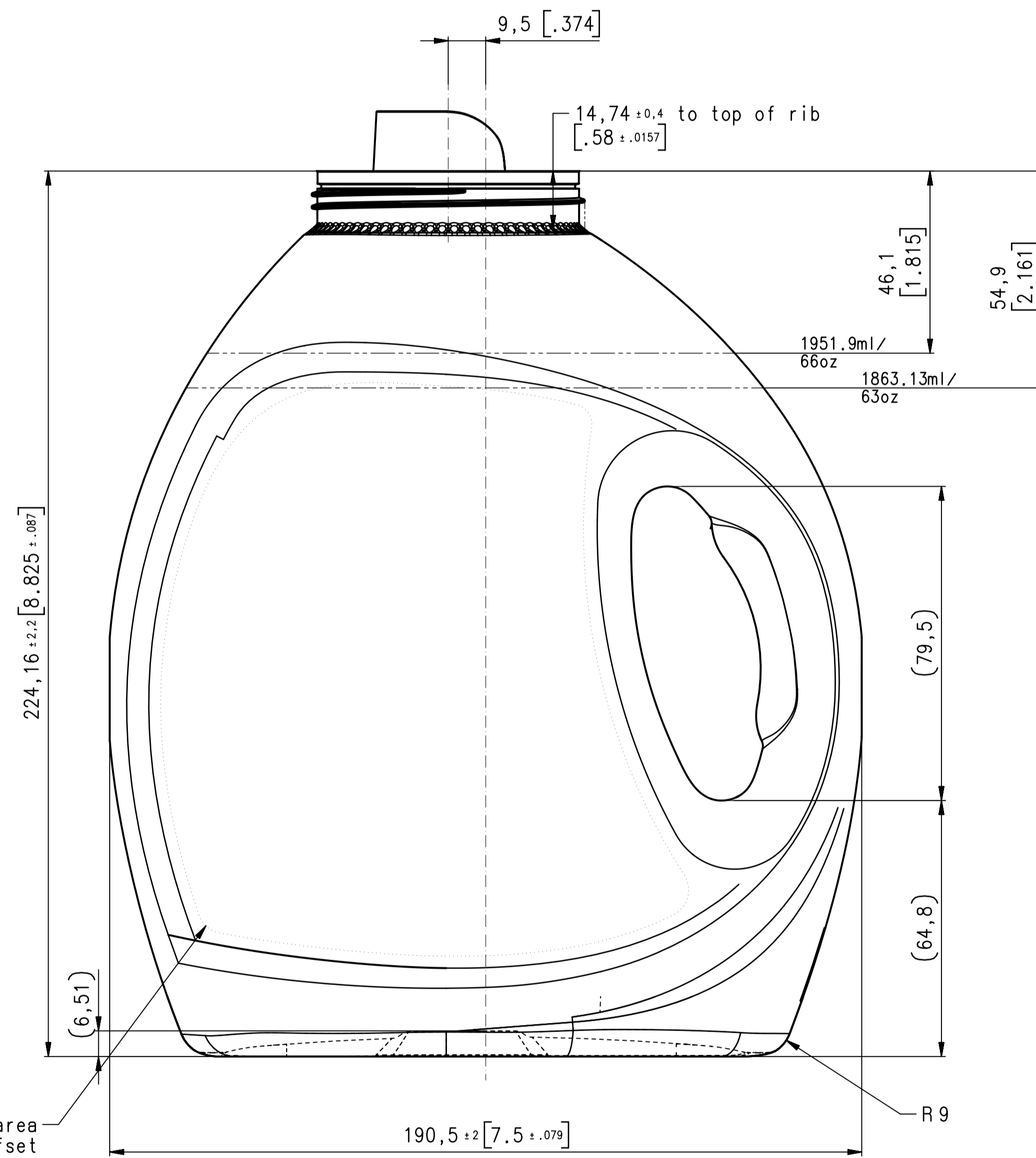
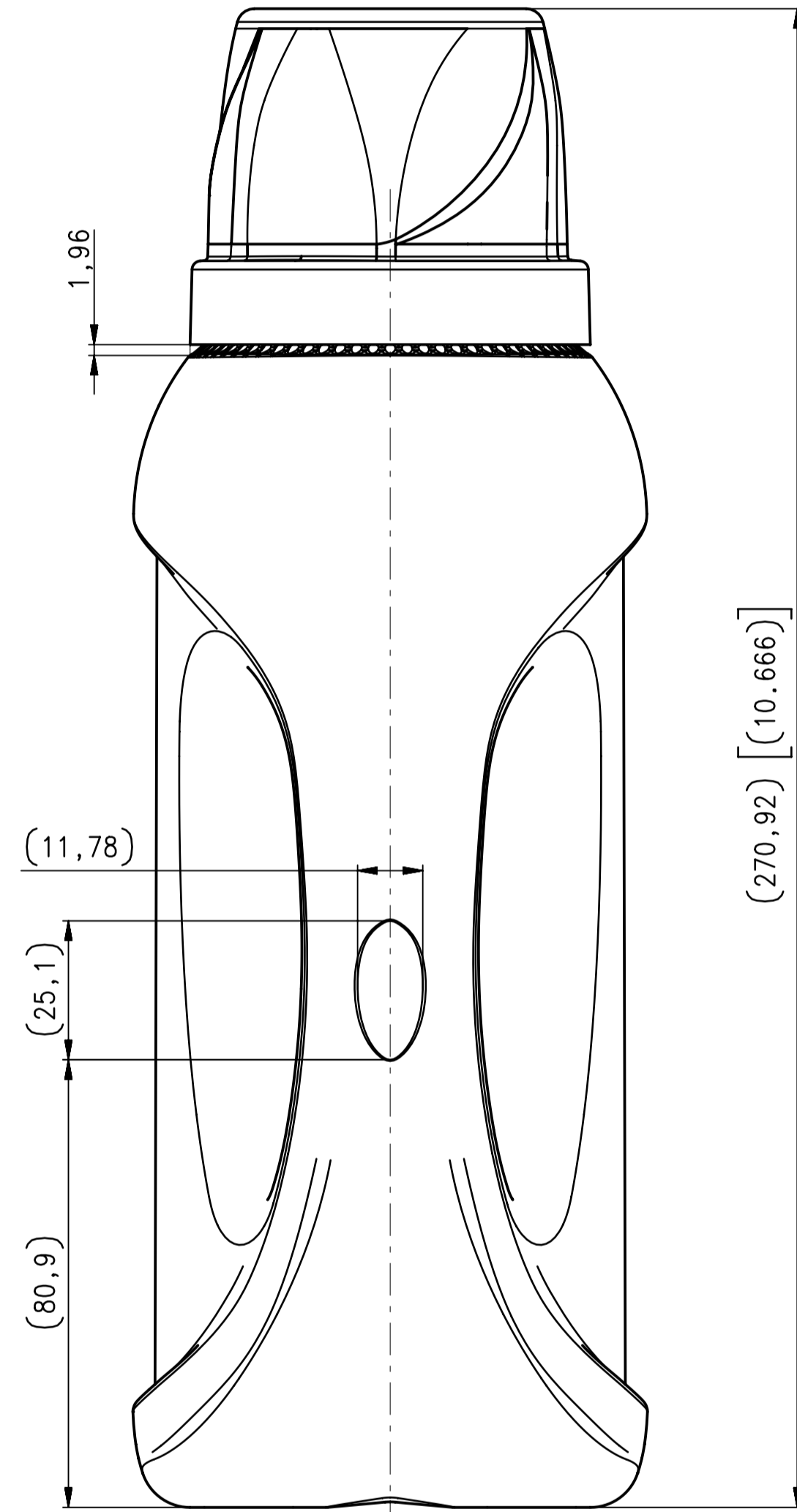
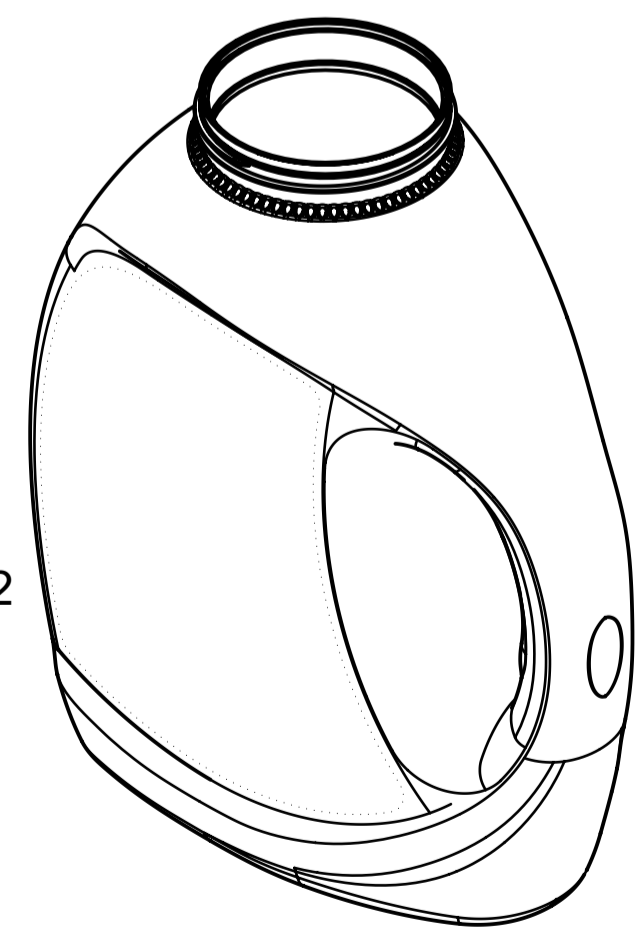
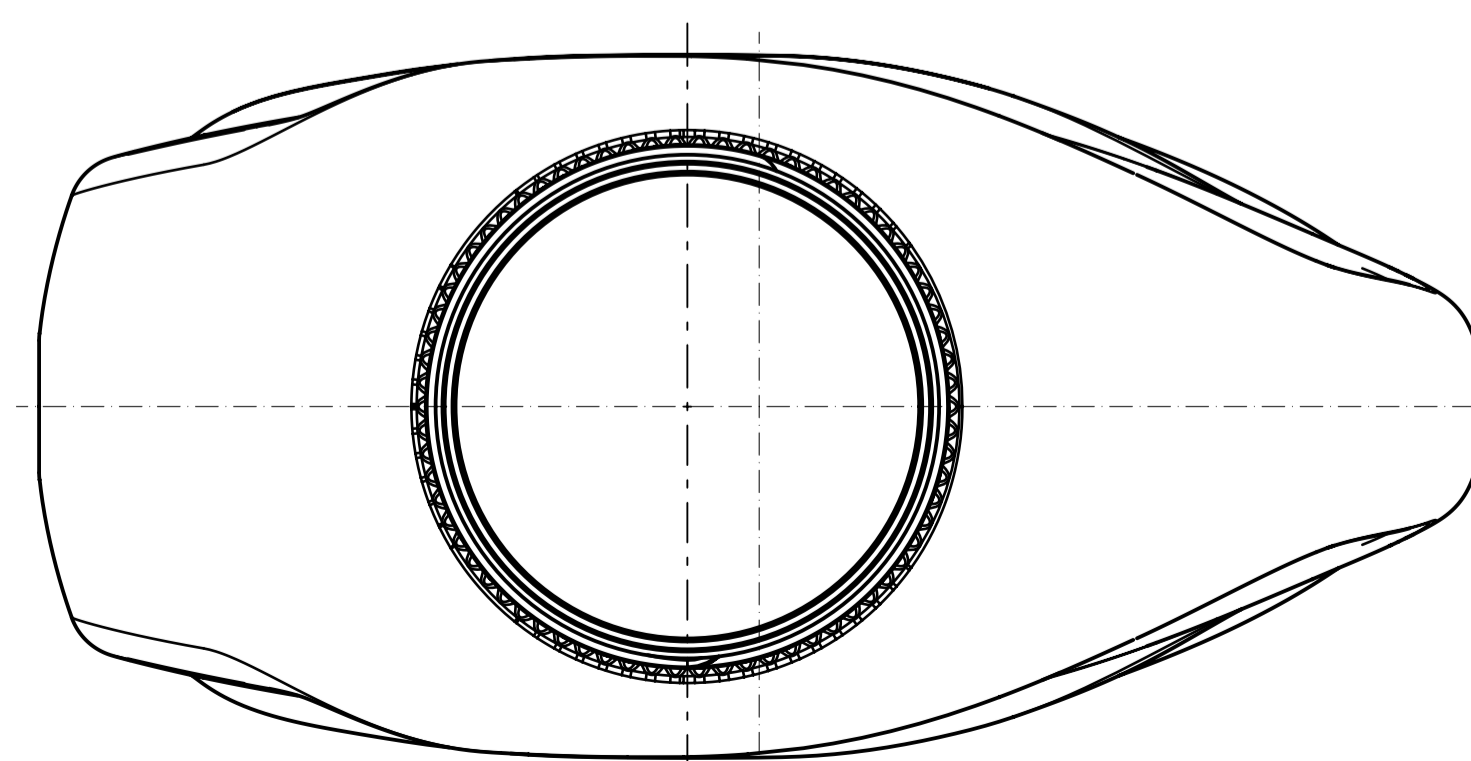


MOULD NUMBER / CAVITY NUMBER



max. label area with 3mm offset



And Müller
APPROVED 02 SEPTEMBER 2022

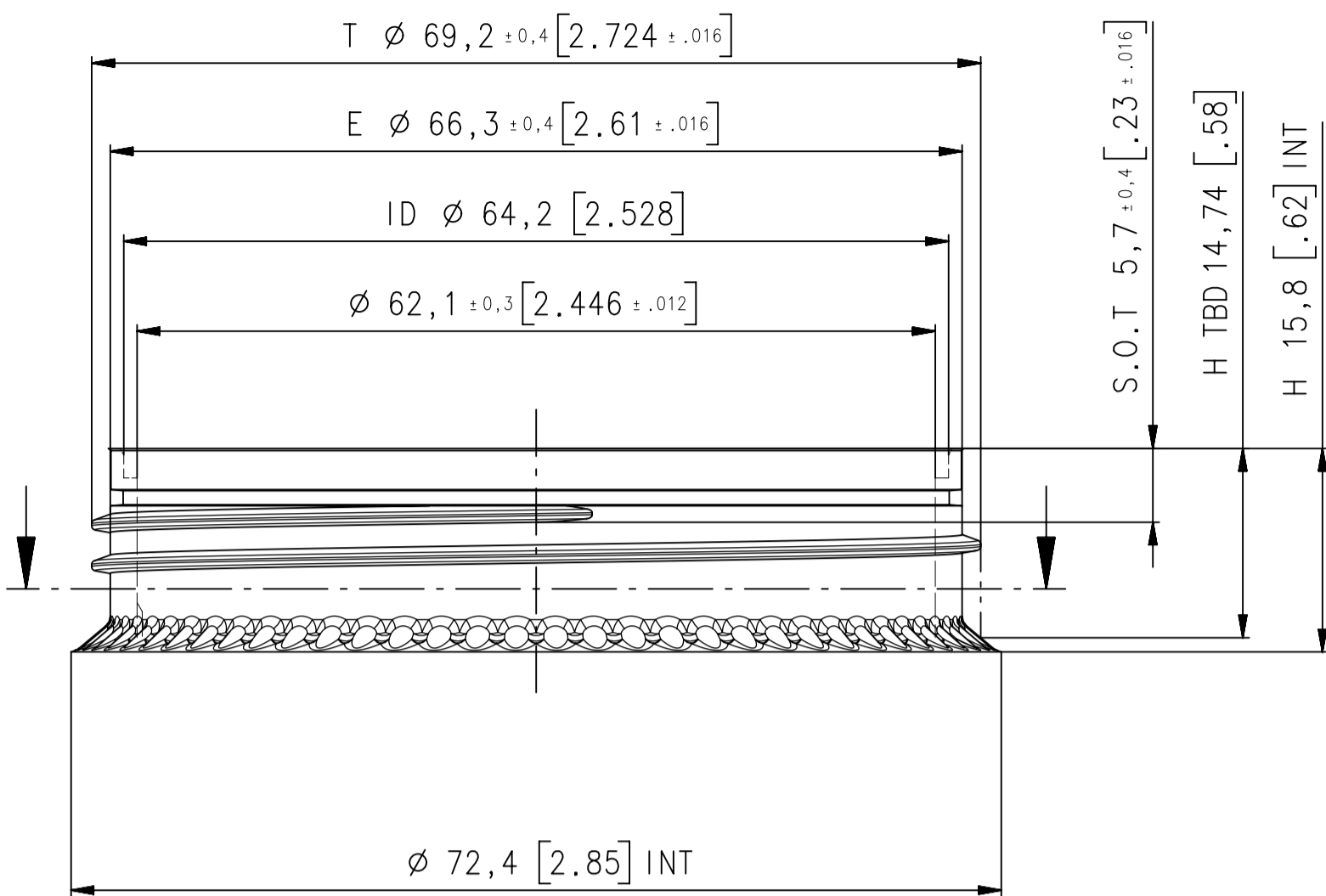
NECK DRAWING: 9209_518_003_13

MATERIAL: HDPE
WEIGHT: 89g ± 3g
VOLUME: 2222ml ± 48ml BRIMFULL

SURFACE AREA: 110498.74mm²

Index	Modification:	Name	Date	Index	Modification:	Name	Date
01a	Logo engraving removed	SJ	1.Sep.22	-	-	-	-
Scale:		Name		Date			
1:1		Prepared: Soto Jessica		30.Aug.22			
1:2		Reviewed: DJ		30.Aug.22			
ALPLA reserves all rights to the technical IP contained in the document		Supersedes:					
		Weight: 0kg		Art.No.:		Page: 1 of 1	
Title:		Drawing No.:		Revision:			
Harmony LF07 66oz		9206_522_007_01		01			



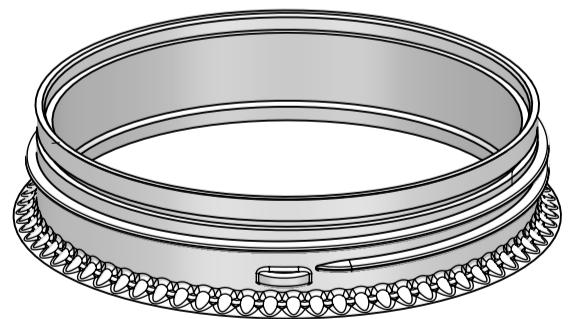
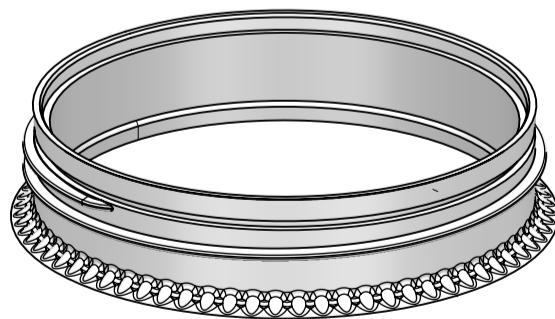
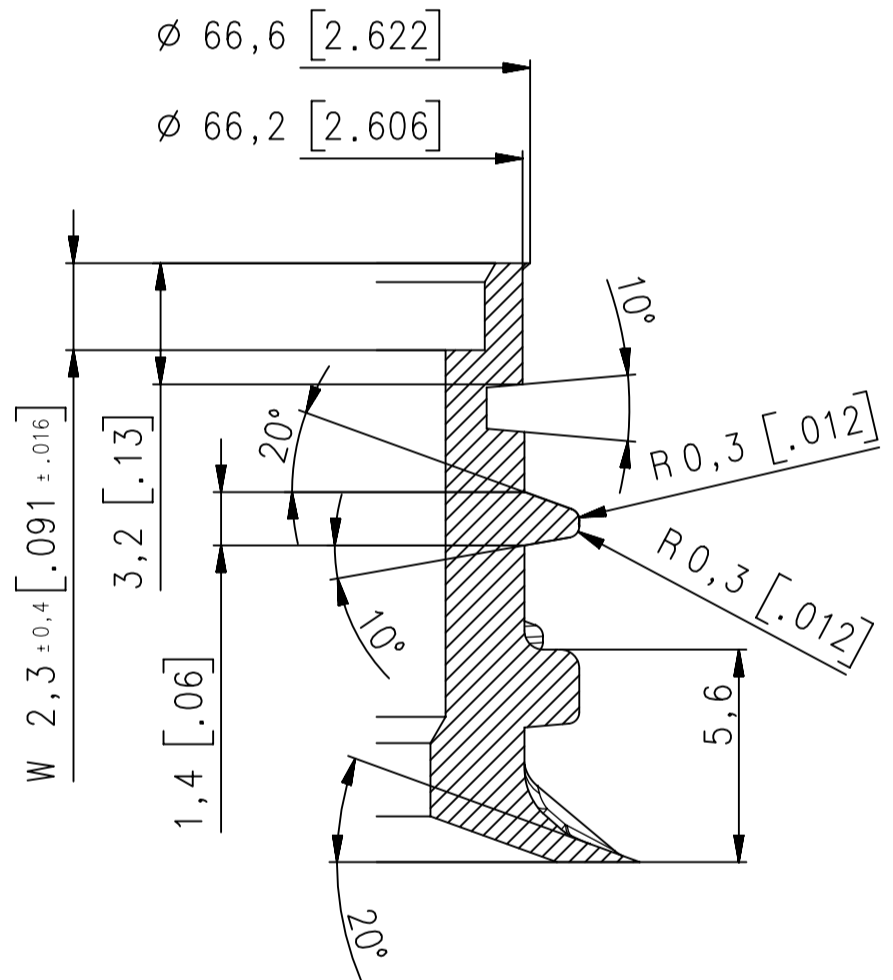
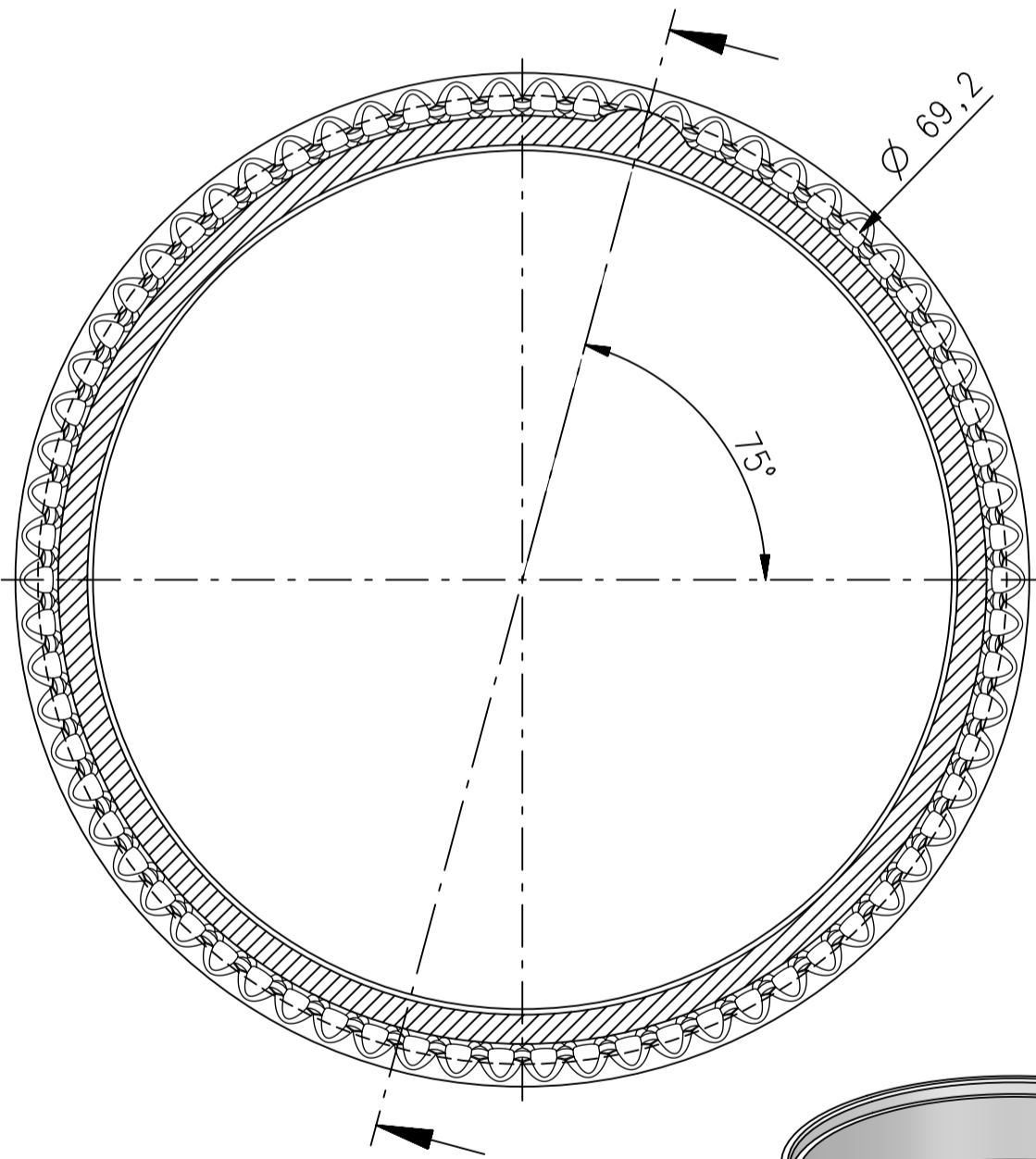


NECK DETAIL:
SCALE 2:1

Ø 72,4 [2.85] INT

THREAD DETAIL:

SCALE 5:1
PITCH: 3.175mm
TURNS: 1.5
1 START THREAD



Index		Modification:		Name	Date	Index		Modification:		Name	Date
-		-		-	-	-		-		-	-
General Tolerance BLOWMOLDING ARTICLE: DIN ISO 2768-c INJECTION ARTICLE: DIN 16901/150B PREFORM: DIN 16901/130A	Scale:		Name		Date						
	1:1		Prepared: Soto Jessica		03.Aug.22						
	1:1		Reviewed: DJ		03.Aug.22						
	ALPLA reserves all rights to the technical IP contained in the document		Superseded: 9209_518_003_03		Superseded by:		Art.No.:		Page: 1 of 1		
Title:		Weight: 00kg		Drawing No.:		Revision: 00					
-		Harmony Neck		9209_518_003_13							